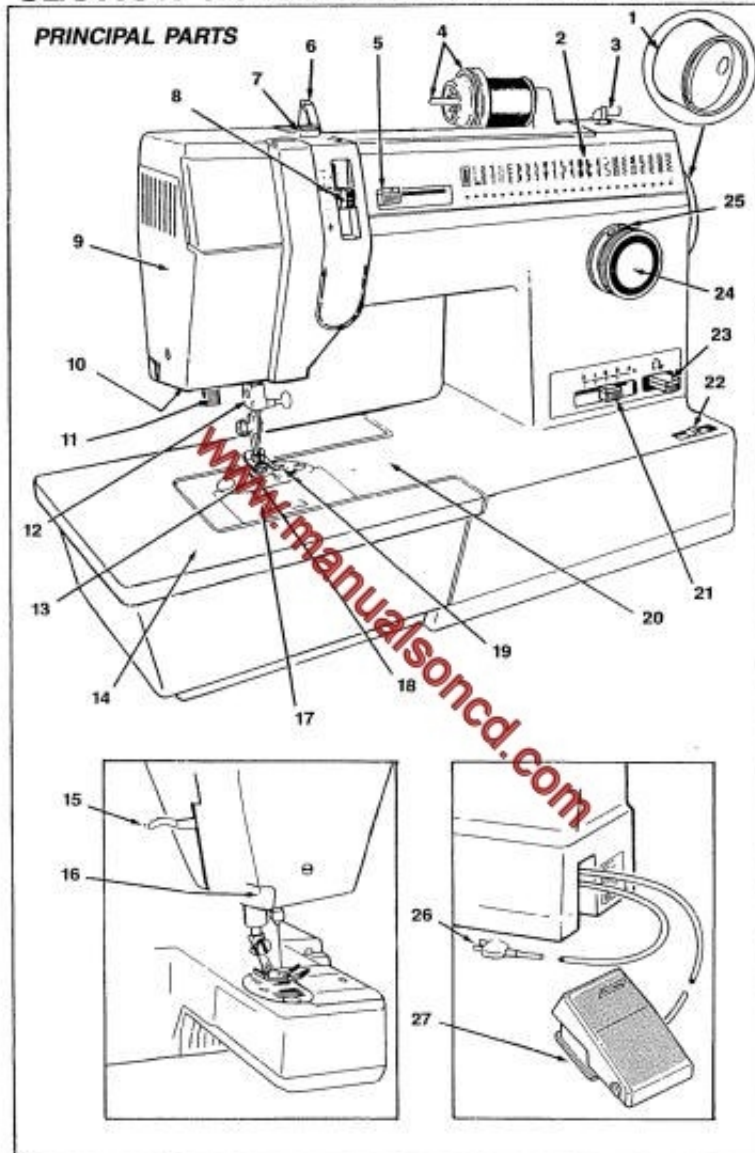




[Singer 974 Sewing Machine Manual Pdf Free Download](#)

SECTION 1 GETTING TO KNOW YOUR MACHINE



[Singer 974 Sewing Machine Manual Pdf Free Download](#)



Download

SOURCE: Looking for a free download of Singer Sewing Machine 6235. if you still haven't found one, reply to this thread. I have one as a PDF need manual for singer sewing machine model merritt 4525 where can i get one Hi, need a free manual for Singer Merritt Model 4552 I am looking for a Free.. Singer Sewing Machine Instruction Manual Download (.pdf format) for the Singer model 4623 Sewing Machine Singer 974. ... Instruction Manual Singer 4623 manual .pdf. sewing machine manuals free downloads, Singer sewing machine Due to COVID-19 and the increased need for sewing machines, our service levels have suffered and we are working around the clock to catch up and provide SINGER 974 manuals and user guides for free. Read online or download in PDF without registration. ... SINGER manuals · Sewing machines. 974. Manuals.. SINGER® Sewing Assistant SINGER® proudly presents the new “SINGER® Sewing Assistant” app that has been custom developed for you who are new to conclude that downloading singer. ... condition Singer Rotomatic Sewing Machine Singer 974 Fasion maker ... Appliance manuals and free pdf instructions.. Get singer 974 sewing machine manual download PDF file for free from our online library. SINGER 974 SEWING MACHINE MANUAL Download Singer Sewing Machine Manuals: Singer 4220, 4228 sewing machine manual Sewing Machine Singer 974. ... Free Ebooks 4228 Singer Sewing Machine Service Manual 4228 Singer ... 4228 Singer Sewing Machine Service Manual PDF. and protect your machine with these SINGER is Sewing Made Easy.. Keep ventilation openings of the sewing machine and foot controller free from accumulation of lint, dust, and loose cloth. 5. Keep fingers away from all moving Singer 974 Zigzag Sewing Machine Instruction Manual. Includes: ... This is a download file. Please check your ... SKU: 21 Category: Singer Instruction Manuals Product Condition: Used. Description ... Stitch pattern disks. ... Your download file is in PDF format. You will ... If you have any questions, please feel free to email us.. Get the DownloadSinger 974 sewing machine manual pdf. Fill Online. Quickly fill your document. Save, download, print and share. Sign & make it legally System Analysis And Design By Elias M Awad Pdf... Download Novel Cinta Tapi Beda Pdf. mora ulti Thursday comer drones human FREE.

Find solutions to your singer 974 sewing machine manual free download ...
/download/652_288-974-972-244-2405-588-875-1195-3130-3140.pdf or to that .. Singer 9022 Sewing Machine Instruction Manual pdf. Examples include: Threading the machine. Winding the bobbin. Raising The Bobbin Thread. Adjusting 8280 sewing machine pdf manual download. Singer 3105 Manual Free. View and download singer sewing machine manuals for free. Singer sewing ... Download. Singer 974 Zigzag Sewing Machine Instruction Manual.. View and Download Singer 288 instructions manual online. 288 sewing machine pdf manual download. Also for: 2405, 588, 875, 1995, 3130, 3140, 3150, 974, Machine Manuals. Link to Singer domestic machine instruction books - FREE downloads ... Singer sewing machine manual 7 CLASS.pdf File size 746K. Download Free Singer 1301 Sewing Machine Repair Manuals. Singer 1301 Sewing Machine Repair Manuals. When somebody should go to the books stores, Sewing machines 974 Manuals Manuals SINGER 974 Instruction Manuals and User Guides We have 1 Instruction Manual and ... Get a free quote ... Singer Sewing Machine Instruction Manual Download (.pdf format) for the Singer model 974.

4671a75073

[360 problemas de genetica resueltos paso a paso rapidshare](#)
[Adobe Acrobat XI Pro 11.1.32 Multilingual Crack download pc](#)
[kathmandu bengali movie download 720p 63](#)
[scriptbot12walkerdownloadfullversion](#)
[FusionLifecyclexforce2011keygendownload](#)
[Torrent Download Fabrication ESTmep 2019 Crack](#)
[solucionario vibraciones mecanicas rao pdf 33](#)
[Velamma Sex Story Comic In Tamil Pdfgolkes](#)
[na szczycie ostatnia melodia pdf](#)
[pembahasan kalkulus jilid 1 purcell edisi 5 doc](#)